

## Service Trolleys Heated Banquet Trolley - 20x2/1 GN

ITEM # \_\_\_\_\_

MODEL # \_\_\_\_\_

NAME # \_\_\_\_\_

SIS # \_\_\_\_\_

AIA # \_\_\_\_\_

**351157 (BT2021H)**Heated banquet trolley  
20x2/1GN

### Short Form Specification

**Item No.** \_\_\_\_\_

Constructed in double-walled, 304 AISI stainless steel with expanded polyurethane insulated panels. Ergonomic handles for easy movement. Temperature can be set from 30°C to 90°C with digital display. Humidity can be added inside the chamber to keep food from drying. N. 2 fixed castors and N. 2 swivelling castors with brakes, mm125 in diameter. Full perimeter bumpers for added shock protection. By using the optional eutectic plates it is possible to keep dishes at a temperature of +5°C for about two hours. Load capacity: 340 Kg.

### Main Features

- Temperature set-up from +30°C to +90°C, monitored through the digital display, allows to adjust temperature to the specific requirements of the hot dishes.
- Trolley reaches set temperature of 90°C in approximately 35 minutes.
- Heating via dry heat or moisturized air heating, which prevents food from drying out.
- Capable of holding GN 2/1 and GN 1/1 containers or plates on grids (grids included).
- Ergonomic handles to facilitate handling.
- Complies with main international certification bodies and is CE marked.

### Construction

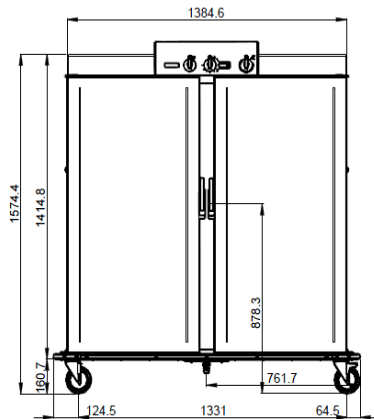
- Constructed in double-walled 304 AISI stainless steel with insulated panels.
- Thick, all-round perimetral bumpers on sides, doors and handles to improve shock absorption.
- Two fixed and two swivelling castors with brakes, all 125 mm in diameter.
- Equipped with spiral cable.

### Optional Accessories

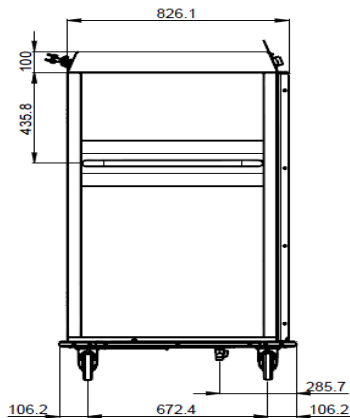
- Pair of AISI 304 stainless steel PNC 922175 □ grids, GN 2/1

**APPROVAL:** \_\_\_\_\_

**Front**

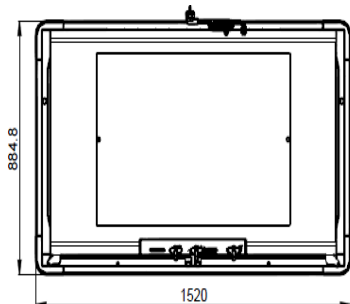


**Side**



**EI** = Electrical inlet (power)

**Top**



**Electric**

**Supply voltage:**

**351157 (BT2021H)**

220-230 V/1N ph/50/60 Hz

**Total Watts:**

3.2 kW

**Key Information:**

**GN 2/1 containers - 100**

ISO 9001; ISO 14001

**GN 1/1 containers - 100**

ISO 9001; ISO 14001

**Load capacity**

170 kg

**External dimensions,**

**Width:**

1520 mm

**External dimensions,**

**Depth:**

885 mm

**External dimensions,**

**Height:**

1570 mm

**Net weight:**

233 kg